

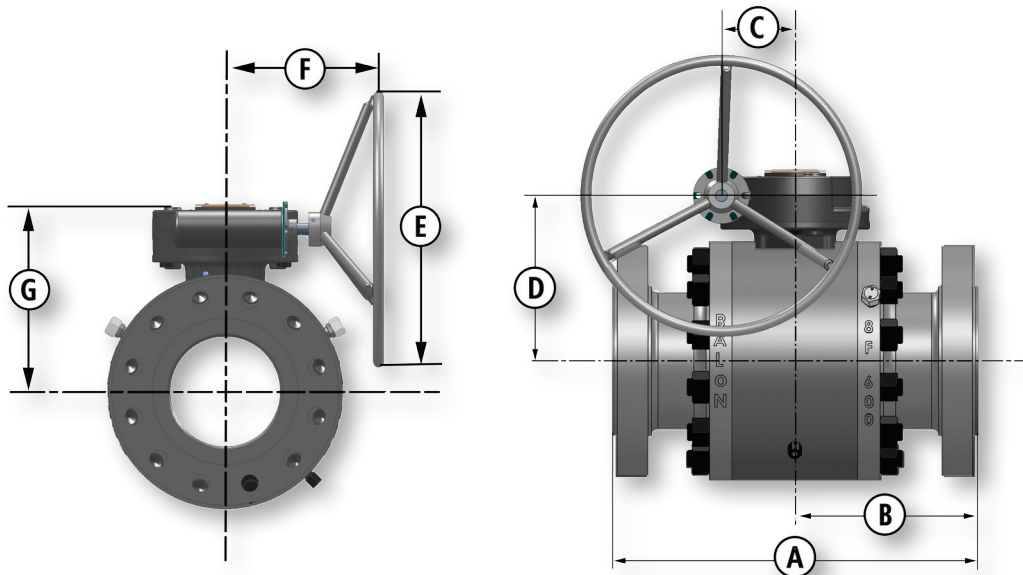
# Series T Trunnion Valves

## Series T Carbon Steel



- Gear Operated Trunnion Ball Valve
- 4" Through 10"
- ANSI Class 600 (1480 PSI WP)
- Bolted Body Construction

- Exclusive Balon Gearbox
  - ✓ Suitable for Buried Service
  - ✓ Stainless Steel Input Shaft Standard
  - ✓ Stainless Steel Directional Indicator
  - ✓ Integral Locking Device Standard
  - ✓ Manufactured in our Oklahoma City Plant
- Multi-Seal Seats
- Fire Safe Design



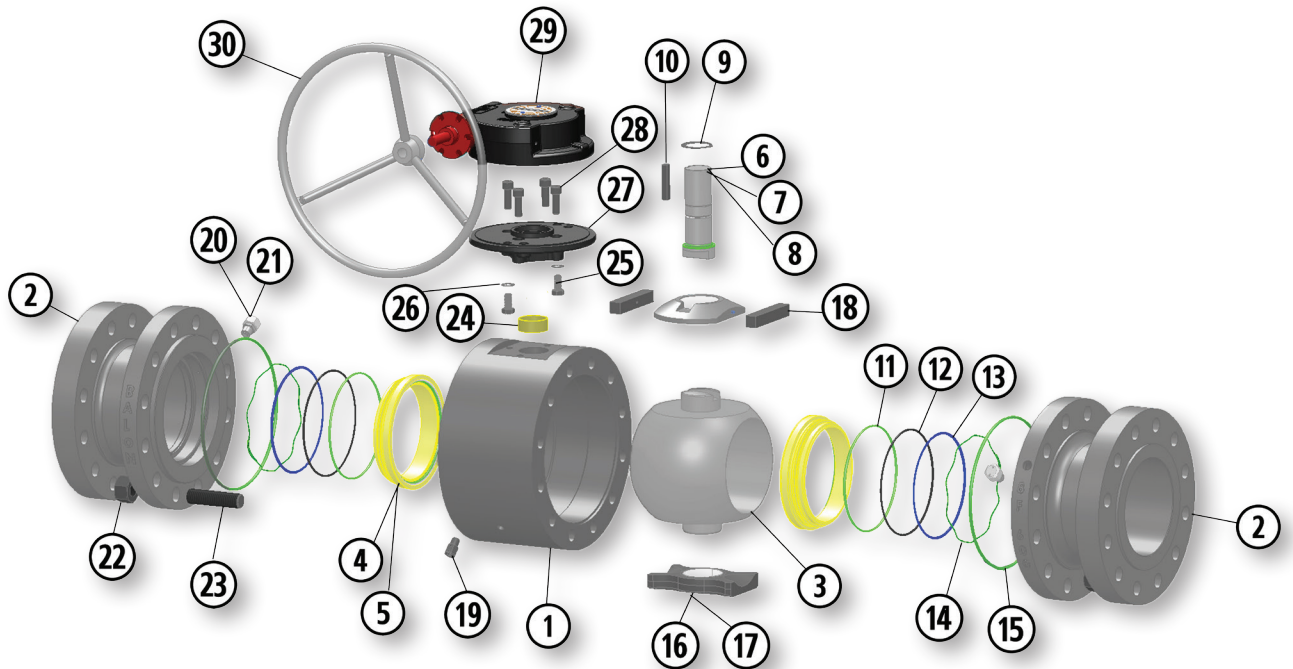
### Dimensional Data

SIZE	CATALOG NUMBER			PORT	A		B		C	D	E	F	G	LBS.
	STANDARD TRIM CARBON STEEL BALL & STEM	NACE TRIM CARBON STEEL BALL & STEM	NACE TRIM 316SS BALL & STEM		RF	RTJ	RF	RTJ						
4x4x4	4F-T63	4F-T63CN*	4F-T63SN*	4	17	17.12	9	8.56	3.04	8.06	13	8.75	9.68	309
6x6x6	6F-T63	6F-T63CN*	6F-T63SN*	6	22	22.12	11	11.06	4.06	9.69	20	11.19	11.31	560
8x8x8	8F-T63	8F-T63CN*	8F-T63SN*	8	26	26.12	13	13.06	5.25	11.75	20	11.56	13.68	998
10x10x10	10F-T63	10F-T63CN*	10F-T63SN*	10	31	31.12	15.5	15.56	3.038	17.82	26	14.00	19.57	1550

\* NACE Valves are also available in low temp. Call factory for details.

# Series T Trunnion Valves

## Series T Carbon Steel



### Material Description

ITEM	PART NAME	STANDARD TRIM	CARBON STEEL NACE	STAINLESS STEEL NACE
1	Body	ASTM A216 WCB/A105	ASTM A216 WCB/A105	ASTM A216 WCB/A105
2	Adapter	ASTM A216 WCB/A105	ASTM A216 WCB/A105	ASTM A216 WCB/A105
3	Ball	Carbon Steel Nickel Chrome Plated	Carbon Steel Nickel Chrome Plated	316 Stainless Steel
4	Seat Carrier	Carbon Steel Nickel Chrome Plated	Carbon Steel Nickel Chrome Plated	316 Stainless Steel
5	Seat Insert	Nylon/Acetal	Nylon/Acetal	Nylon/Acetal
6	Stem	Carbon Steel	Carbon Steel	316 Stainless Steel
7	Stem O-Ring	Buna-N	Fluorocarbon	Fluorocarbon
8	Stem Thrust Washer	TFE	TFE	TFE
9	Snap Ring	Carbon Spring Steel	Carbon Spring Steel	Carbon Spring Steel
10	Stem Key	Steel Key Stock	Steel Key Stock	Steel Key Stock
11	Seat O-Ring	Buna-N	Fluorocarbon	Fluorocarbon
12	Fireseal	Graphite	Graphite	Graphite
13	Fireseal Support Ring	Stainless Steel	Stainless Steel	Stainless Steel
14	Spring	Inconel X-750	Inconel X-750	Inconel X-750
15	Body O-Ring	Buna-N	Fluorocarbon	Fluorocarbon
16	Bearing Block	Carbon Steel	Carbon Steel	Stainless Steel
17	Trunnion Bearing	316 SS/TFE	316 SS/TFE	316 SS/TFE
18	Spacer Block	Stainless Steel	Stainless Steel	Stainless Steel
19	Bleed Fitting*	316 Stainless Steel	316 Stainless Steel	316 Stainless Steel
20	Sealant Injection Fitting	Alloy Steel	Alloy Steel	Alloy Steel
21	Internal Check Fitting	316 Stainless Steel	316 Stainless Steel	316 Stainless Steel
22	Nuts	ASTM A194 2H	ASTM A194 2HM	ASTM A194 2HM
23	Studs	ASTM A193 B7	ASTM A193 B7M	ASTM A193 B7M
24	Stem Bearing	Glass/TFE	Glass/TFE	Glass/TFE
25	Hexhead Capscrew	Alloy Steel	Alloy Steel	Alloy Steel
26	Lock Washer	Alloy Steel	Alloy Steel	Alloy Steel
27	Adapter Plate	Ductile Iron	Ductile Iron	Ductile Iron
28	Capscrews	Alloy Steel	Alloy Steel	Alloy Steel
29	Gear Operator	Ductile Iron	Ductile Iron	Ductile Iron
30	Handwheel	Carbon Steel	Carbon Steel	Carbon Steel

\* 3/8" NPT